

Art. 4831BU+D231AU

3/4" Thermostatic mixer with integrated volume control

- For horizontal installation
- 3/4" NPT inlets and outlets
- With shut-off valve
- Rectangular backplate
- Handle included
- 15.3 GPM @ 60 PSI (primary outlet)

Trim

Finishes:

- Black Metal** 50 N1 4831BU
- Matte White** 50 29 4831BU
- Chrome** 50 02 4831BU

Rough

Finishes:

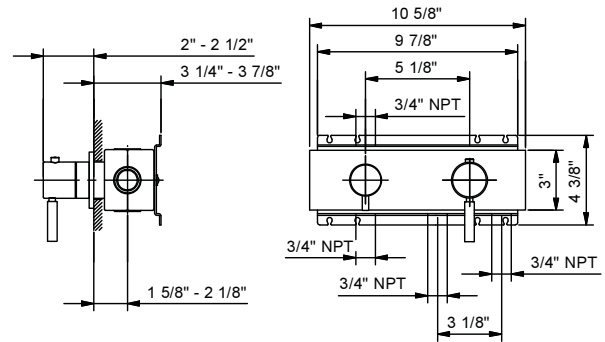
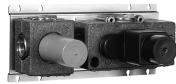
- 19 00 D231AU

Project:

Room:

Date:

Comments:



Certifications/Awards:

