

Art. R106U

Three-hole washbasin mixer

- 5 3/4" spout projection
- Flexible supply lines
- Push-up drain, 1 1/4"
- Handles included
- Water flow restricted to 1.2 GPM

Finishes:

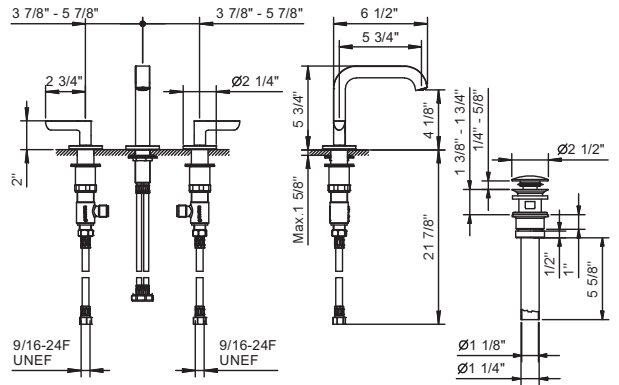
- Chrome** 53 02 R106U
- Nickel PVD** 53 95 R106U
- Matte Gun Metal PVD** 53 P5 R106U
- Matte British Gold PVD** 53 P6 R106U
- Matte Copper PVD** 53 P9 R106U

Project:

Room:

Date:

Comments:



Certifications/Awards:

